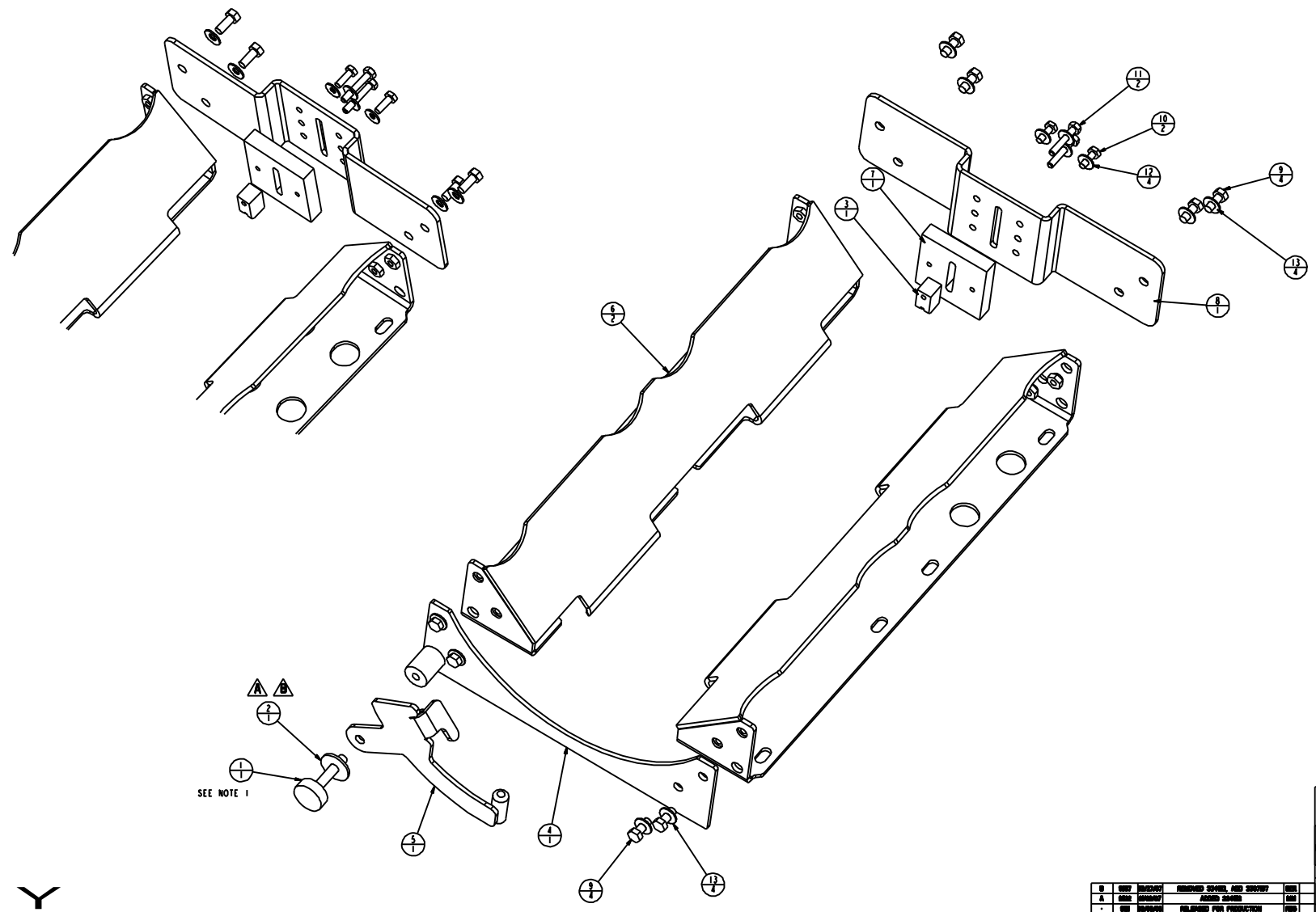


NOTE:  
ITEMS 2, 6 & 7 ARE ASSEMBLED AS SHOWN  
TO ACCOMMODATE STANDARD US ALUMINUM LPG TANK

NOTE:  
ITEMS 2, 6 & 7 ARE ASSEMBLED AS SHOWN  
TO ACCOMMODATE STANDARD US STEEL LPG TANK

BILL OF MATERIAL			
ITEM	PART NO.	QTY	DESCRIPTION
1	3342116	1	CLAMP SCREW-LPG CASE
2	3342117	1	SPACER 1-DIMPLED PLD 501A
3	3342112	1	STOP BLOCK-LPG CASE
4	3342132	1	WELD-LPG MNT FR1
5	3342133	1	WELD-CLAMP LPG MNT
6	3342139	2	WELD-LPG MNT PLATE
7	3342142	1	STOP PLT-LPG MNT
8	3342143	1	STOP PLT-LPG TANG
9	3400036	6	BOLT 1/4" X 1/2" X 1/8" 316
10	3400047	2	SCREW 1/4" X 1/2" X 1/8" 316
11	3400149	2	SCREW 1/4" X 1/2" X 1/8" 316
12	3400383	4	WASHER CONICAL SPRING 1/4"
13	3400384	6	WASHER CONICAL SPRING 5/16"



NOTES:  
1. ITEM #1 MUST TURN FREELY

CONFIDENTIAL			
THIS DRAWING AND ALL INFORMATION CONTAINED HEREIN ARE THE EXCLUSIVE PROPERTY OF HUNDTMAN INTERNATIONAL, INC. THIS DRAWING IS NOT TO BE COPIED OR OTHERWISE REPRODUCED WITHOUT THE WRITTEN PERMISSION OF HUNDTMAN INTERNATIONAL, INC. IN ADDITION, THIS DRAWING MUST BE RETURNED UPON REQUEST. FURTHER, ALL INFORMATION CONTAINED HEREIN MUST BE MARKED AS CONFIDENTIAL.			
TYPE		SCALE	
ASSY-LPG TANK MNT US		NTS	
MATERIAL	SEE BOM	FINISH	N/A
TOLERANCES UNLESS OTHERWISE SPECIFIED:	REMOVE BURRS AND BREAK SHARP EDGES .005/-.020		
DRW. NO. 2-6-06	APPROVED BY	DATE	2-6-06
REV. 001	CHECKED BY	DATE	06/06/01
REV. 002	CHANGE	BY	DATE
P.N. 3342745		REV. 001	

Y  
X